

PT65 SERIES ROTARY DIP SWITCHES

Outside the U.S. and the UK,
this series is sold as the CR36
series, with a blue case.

FEATURES

- 3 + 3 terminal layout.
- Completely sealed for process compatibility.
- 4, 6, 8, 10 or 16 positions w/extensive codings.
- Precision designed detent action.
- Compact size.
- High reliability & long life.
- Clockwise or counterclockwise settable.
- Solder coated terminals.



MATERIALS

Base	UL94V-O, high temperature thermoplastic
Cover	UL94V-O, high temperature thermoplastic
Actuator	POM
Contacts	Gold over nickel plated bronze
Terminals	Gold over nickel plated bronze
Terminal sealing	Molded-in
Actuator seal	'O'-ring

GENERAL SPECIFICATIONS

ELECTRICALS

Operating voltage	24 VDC max.
Contact rating, static	400 mA max.
Contact rating, dynamic	150 mA max.
Switching capacity	1.5 VA max.
Initial contact resistance	< 80 milliohms
Insulation resistance	> 100 megohms

MECHANICALS, THERMALS

Torque	7.0 inch-oz. min. (0.7 Ncm min.)
Expected life	10,000 switching operations
Contact force	15 grams min.
Operating temperature range	-20°C to 70°C

SOLDERING RECOMMENDATIONS

Hand soldering	340°C max. for 2 seconds max. (40 watt iron max.)
Wave soldering	260°C max. for 10 seconds max.
Solvent washing	Freons or alcohol. (Do not use chlorinated solvents)
Aqueous cleaning	Deionized water preferred

SPECIFICATIONS SUBJECT TO CHANGE WITHOUT NOTICE.

CODE 05 GRAY CODE				
16 Positions				
Dial No.	1	2	4	8
0				
1	●			
2	●	●		
3		●		
4		●	●	
5	●	●	●	
6	●		●	
7			●	
8			●	●
9	●		●	●
A	●	●	●	●
B		●	●	●
C		●		●
D	●		●	●
E	●			●
F				●

CODES

NOTE: For each dial position in tables, Common terminal(s) (C) are connected to terminal number(s) indicated - i.e. - none or combinations of 1, 2, 3, 4 or 8. Each model in this series has 2 Common terminals except codes 11 and 24 which have one.

CODE 11 ON/OFF	
4 Positions	
Dial No.	1
0	
1	●
0	
1	●

CODE 12 BCD		
4 Positions		
Dial No.	1	2
0		
1	●	
2		●
3	●	●

CODE 21 DECIMAL				
4 Positions				
Dial No.	1	2	3	4
1	●			
2		●		
3			●	
0				●

CODES 24 & 25 BCD				
6 Positions				
Dial No.	1	2	4	
0				
1	●			
2		●		
3	●	●		
4			●	
5	●		●	

CODE 26 OCTAL				
8 Positions				
Dial No.	1	2	4	
0				
1	●			
2		●		
3	●	●		
4			●	
5	●		●	
6		●	●	
7	●	●	●	

CODE 27 OCTAL COMPLEMENT					
8 Positions					
Dial No.	1	2	4	8	
0	●	●	●	●	
1		●	●	●	
2	●		●	●	
3			●	●	
4	●	●		●	
5		●		●	
6	●		●	●	
7			●	●	

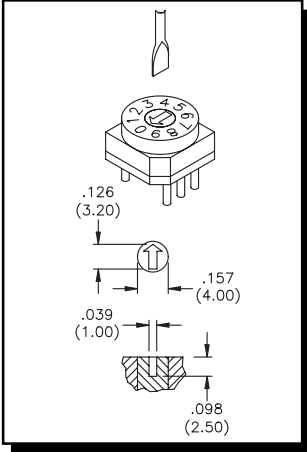
BINARY CODED DECIMAL (01)					
10 Positions					
Dial No.	1	2	4	8	
0					
1	●				
2		●			
3	●	●			
4			●		
5	●		●		
6		●	●		
7	●	●	●		
8				●	
9	●			●	

COMP. OF BINARY CODED DECIMAL (02)					
10 Positions					
Dial No.	1	2	4	8	
0	●	●	●	●	
1		●	●	●	
2	●		●	●	
3		●		●	
4	●	●		●	
5		●	●	●	
6	●		●	●	
7	●	●	●	●	
8		●	●	●	
9	●	●	●	●	

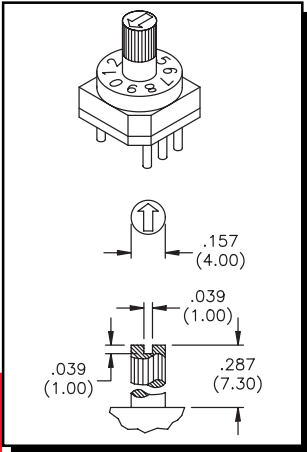
BINARY CODED HEXADECIMAL (03)					
16 Positions					
Dial No.	1	2	4	8	
0					
1	●				
2		●			
3	●	●			
4			●		
5	●		●		
6		●	●		
7	●	●	●		
8				●	
9	●			●	
A		●	●	●	
B	●	●		●	
C			●	●	
D	●		●	●	
E		●	●	●	
F	●	●	●	●	

COMP. OF BINARY CODED HEXADEC. (06)					
16 Positions					
Dial No.	1	2	4	8	
0	●	●	●	●	
1		●	●	●	
2	●		●	●	
3			●	●	
4	●	●		●	
5		●		●	
6	●		●	●	
7			●	●	
8	●	●	●	●	
9		●	●	●	
A	●		●	●	
B		●		●	
C	●	●		●	
D		●		●	
E	●		●	●	
F			●	●	

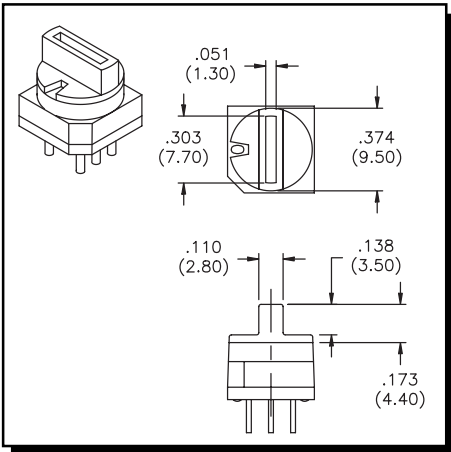
PT65 SERIES



Arrow shaped slot Actuator Models		Complete Model No. by Terminal Style		
		Straight	Right Angle	
			Pitch	
Code (see truth tables)	Positions	.100" (2,54)	.200" (5,08)	
Binary Coded Decimal	10	PT65101	PT65101L254	PT65101L508
Comp. of Binary Coded Dec.	10	PT65102	PT65102L254	PT65102L508
Binary Coded Hexadecimal	16	PT65103	PT65103L254	PT65103L508
Comp. of Binary Coded Hex.	16	PT65106	PT65106L254	PT65106L508
Code 12, Binary Coded Dec.	4	PT65112	PT65112L254	PT65112L508
Code 21, Decimal	4	PT65121	PT65121L254	PT65121L508
Code 25, Binary Coded Dec.	6	PT65125	PT65125L254	PT65125L508
Code 26, Octal	8	PT65126	PT65126L254	PT65126L508
Code 27, Octal complement	8	PT65127	PT65127L254	PT65127L508



Spindle Actuator Models		Complete Model No. by Terminal Style		
		Straight	Right Angle	
			Pitch	
Code (see truth tables)	Positions	.100" (2,54)	.200" (5,08)	
Binary Coded Decimal	10	PT65301	PT65301L254	PT65301L508
Comp. of Binary Coded Dec.	10	PT65302	PT65302L254	PT65302L508
Binary Coded Hexadecimal	16	PT65303	PT65303L254	PT65303L508
Code 12, Binary Coded Dec.	4	PT65312	PT65312L254	PT65312L508
Code 21, Decimal	4	PT65321	PT65321L254	PT65321L508
Code 26, Octal	8	PT65326	PT65326L254	PT65326L508
Code 27, Octal complement	8	PT65327	PT65327L254	PT65327L508



Segment Wheel Actuator Models		Complete Model No. by Terminal Style		
		Straight	Right Angle	
			Pitch	
Code (see truth tables)	Positions	.100" (2,54)	.200" (5,08)	
Binary Coded Decimal	10	PT65501	PT65501L254	PT65501L508
Comp. of Binary Coded Dec.	10	PT65502	PT65502L254	PT65502L508
Binary Coded Hexadecimal	16	PT65503	PT65503L254	PT65503L508
Code 21, Decimal	4	PT65521	PT65521L254	PT65521L508
Code 26, Octal	8	PT65526	PT65526L254	PT65526L508

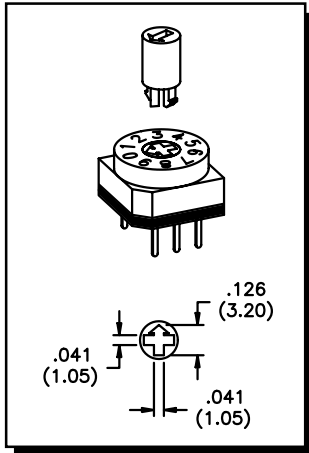
All models listed on this page have 2 Common terminals except Code 11 and Code 24 which have one.

Other codes are available - consult factory.

SPECIFICATIONS SUBJECT TO CHANGE WITHOUT NOTICE.

SPECIFICATIONS SUBJECT TO CHANGE WITHOUT NOTICE.

PT65 SERIES



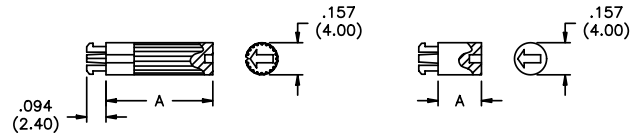
Cross shaped slot Actuator Models		Complete Model No. by Terminal Style		
		Straight	Right Angle	
			Pitch	
Code (see truth tables)	Positions	.100" (2,54)	.200"(5,08)	
Binary Coded Decimal	10	PT65701	PT65701L254	PT65701L508
Comp. of Binary Coded Dec.	10	PT65702	PT65702L254	PT65702L508
Binary Coded Hexadecimal	16	PT65703	PT65703L254	PT65703L508
Code 05, Gray Code	16	PT65705	PT65705L254	PT65705L508
Comp. of Binary Coded Hex.	16	PT65706	PT65706L254	PT65706L508
Code 11, ON/OFF	4	PT65711	PT65711L254	PT65711L508
Code 12, Hexadecimal	4	PT65712	PT65712L254	PT65712L508
Code 21, Decimal	4	PT65721	PT65721L254	PT65721L508
Code 24, Binary Coded Dec.	6	PT65724	PT65724L254	PT65724L508
Code 25, Binary Coded Dec.	6	PT65725	PT65725L254	PT65725L508
Code 26, Octal	8	PT65726	PT65726L254	PT65726L508
Code 27, Octal complement	8	PT65727	PT65727L254	PT65727L508

Operating Elements snap-fit securely into PT65 (& P60A) Series switch models with cross shaped slot actuators. Order separately by Model number shown below and indicate color.



Spindle colors: red, gray or black (consult factory for color codes)

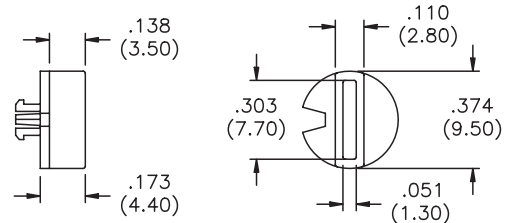
US Model No.	Dim. A	EU Model No.
SAPT65473	.287	N/A
SAPT654116	.457	U4820
SAPT654133	.524	U4830



Short spindle above applies to model SAPT65473 only

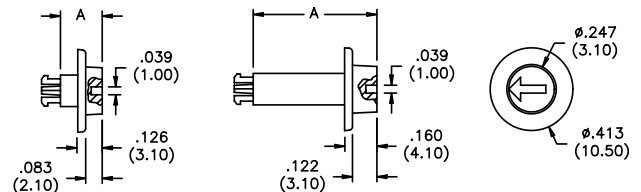
Segment wheel colors: yellow, red, green, blue, gray or black (consult factory for color codes)

US Model No.	EU Model No.
SRPT659544	U4940



Knob color: red

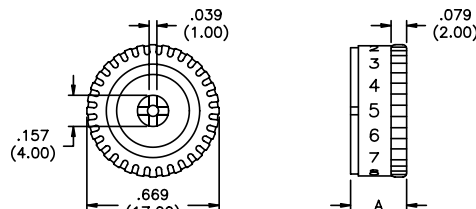
US Model No.	Dim. A	EU Model No.
DKPT6510553	.209	U4906
DKPT65105157	.618	U4916
DKPT65105291	1.146	N/A
DKPT65105344	1.354	N/A



Short knob above applies to model DKPT6510553 only

Wheel color: white

US Model No.	Dim. A	EU Model No.
DRPT651772	.283	U4847/1



printing on request
(fits PT65 models only)

P

PT65 SERIES

PT65 SERIES STANDARD OPTIONS :

Actuators

- 1 Arrow shaped slot
- 3 Spindle
- 5 Segment wheel
- 7 Cross shaped slot

Codes

- 01 BCD
 - 02 BCD complement
 - 03 Hexadecimal
 - 06 Hexadecimal Comp.
- See other available codes on page G17

Terminals

- None Straight
- V Crimped
- L254 Rt. angle 2.54 (.100")
- L508 Rt. angle 5.08 (.200")

ORDER GUIDE:

Make selections from the above table in sequence to specify a complete model number.

Note that 'None' indicates that no option suffix is required.

Example; **PT65101V**
 Series **PT** Actuator **65101** Terminals **V** Code

MECHANICAL OUTLINES	
Terminal option suffix*:	Mtg. hole pattern:
NONE Straight terminals 	
V Crimped terminals 	
L254 Right angle terminals 	
L508 Right angle terminals 	

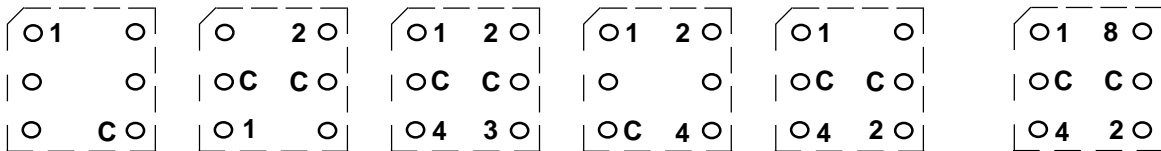
* 'None' indicates no option suffix is required.

SPECIFICATIONS SUBJECT TO CHANGE WITHOUT NOTICE.

TERMINAL IDENTIFICATION FOR ALL MODELS

(viewed from top of switch inserted into printed circuit board).

Refer to TRUTH TABLES on page G17.



Code 11

Code 12

Code 21

Code 24

Codes 25 & 26

Code 27 and
10 & 16 pos. models

Mouser Electronics

Authorized Distributor

Click to View Pricing, Inventory, Delivery & Lifecycle Information:

Apem:

[PT65101L508](#) [PT65503](#) [PT65501](#) [PT65506](#) [PT65521](#) [PT65526](#) [PT65301](#) [PT65312](#) [PT65303](#) [PT65712](#)
[PT65701](#) [PT65101L254](#) [PT65121](#) [PT65121L508](#) [DKPT6510553](#) [SRPT659544/BLK](#) [PT65106](#) [PT65101](#) [PT65117](#)
[PT65301V](#) [PT65102](#) [PT65102L254](#) [PT65102L508](#) [PT65103](#) [PT65103L254](#) [PT65103L508](#) [PT65106L254](#)
[PT65106L508](#) [PT65112](#) [PT65112L254](#) [PT65112L508](#) [PT65121L254](#) [PT65125](#) [PT65125L254](#) [PT65125L508](#)
[PT65126](#) [PT65126L254](#) [PT65126L508](#) [PT65127](#) [PT65127L254](#) [PT65127L508](#) [PT65301L254](#) [PT65301L508](#)
[PT65302](#) [PT65302L254](#) [PT65302L508](#) [PT65303L254](#) [PT65303L508](#) [PT65305](#) [PT65312L254](#) [PT65312L508](#)
[PT65321](#) [PT65321L254](#) [PT65321L508](#) [PT65326](#) [PT65326L254](#) [PT65326L508](#) [PT65327](#) [PT65331](#) [PT65501L254](#)
[PT65501L508](#) [PT65502](#) [PT65502L254](#) [PT65502L508](#) [PT65503L254](#) [PT65503L508](#) [PT65506L254](#) [PT65506L508](#)
[PT65512](#) [PT65512L254](#) [PT65512L508](#) [PT65521L254](#) [PT65521L508](#) [PT65525](#) [PT65526L254](#) [PT65526L508](#)
[PT65701L254](#) [PT65701L508](#) [PT65703](#) [PT65703L254](#) [PT65703L508](#) [PT65705](#) [PT65706](#) [PT65712L254](#) [PT65721](#)
[PT65721L254](#) [PT65721L508](#) [PT65724](#) [PT65724L254](#) [PT65726](#) [PT65726L254](#) [PT65727](#) [PT65731](#) [DKPT65105157](#)
[DKPT65105291](#) [SAPT654133/BLK](#)